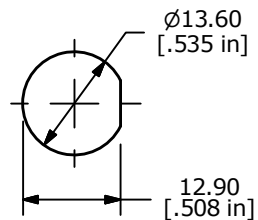
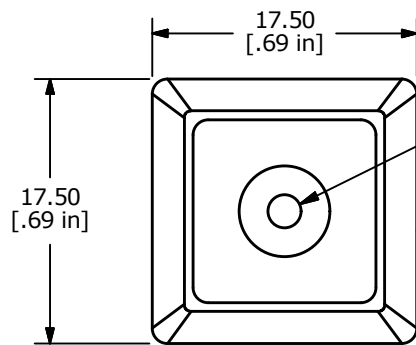


▲ **CIRCUIT: SPST**
OFF - (ON)
MOMENTARY



PANEL MOUNTING



LED COLOR:
WHITE

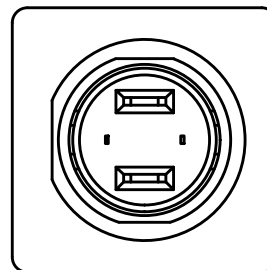
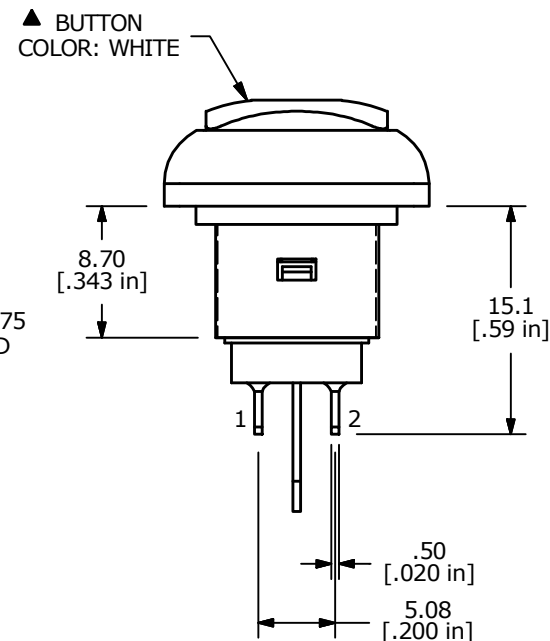
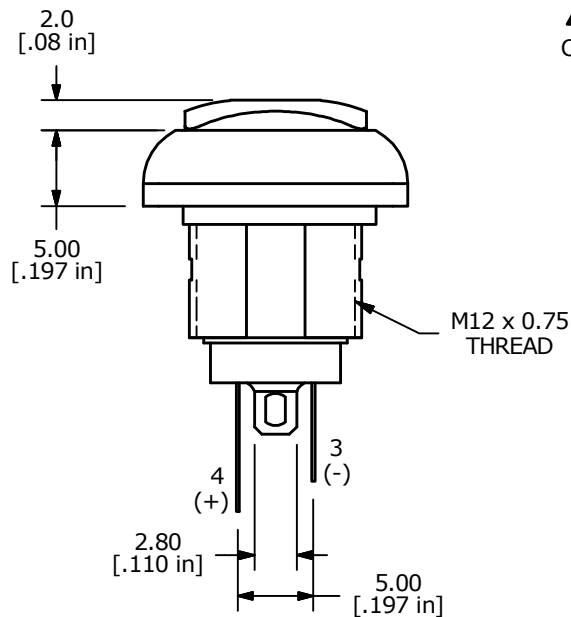
▲ **HOUSING:**
NICKEL PLATED STEEL



| ▲ LED SPECS | UNITS | WHITE |
|---------------------------|-------|---------|
| FORWARD CURRENT | mA | 20 |
| FORWARD VOLTAGE @ 20mA | V | 2.8-3.3 |
| LUMINOUS INTENSITY @ 20mA | mcd | 200 |

NOTE:

1. ALL DIMENSIONS IN MM [INCH]
2. GENERAL TOLERANCE: X.X = ±0.4
X.XX = ±0.25
3. TERMINAL NUMBERS FOR REF ONLY
4. CIRCUIT: SPST OFF-MOMENTARY ON
5. CONTACT MATERIAL: Gold OVER SILVER
6. RATING: 500mA @ 48 VAC
200mA @ 50 VDC
200mA @250 VAC
7. ELECTRIC LIFE: 500,000 CYCLES AT FULL LOAD
8. CONTACT RESISTANCE: 50 MILLIOHM MAX. (INITIAL)
9. INSULATION RESISTANCE: 1,000 MEGA-OHM MIN. @ 500VDC
10. DIELECTRIC STRENGTH: 1,500 VAC FOR 1 MINUTE
- ▲ 11. OPERATING FORCE: 350 ±150 gf
12. OPERATING TEMPERATURE: -30°C to +85°C
13. CONTACT BOUNCE: 10ms Max.
14. TRAVEL: 1.5 ±0.25mm
15. PANEL THICKNESS RANGE: 1.5 - 4.0mm
16. ▲ DENOTES CRITICAL PARAMETER
17. 2002/95/EC (ROHS) COMPLIANT
18. MAX TORQUE APPLIED TO MOUNTING NUT: 1.5Nm
19. HARDWARE INCLUDED:
 - 1) T081101 LOCK WASHER (QTY 1)
 - 2) T081102 HEX NUT (QTY 1)
 - 3) T081103 RUBBER O-RING (QTY 1)
20. SEAL RATING: IP67 TO FRONT PANEL



| | | | | |
|-----|--------|-------------|---------|----|
| A | 22534 | NEW RELEASE | 10/5/16 | MW |
| REV | PCR NO | DESCRIPTION | DATE | BY |

| | | | | |
|------------------------------------|-----------|----|----------|-----|
| TITLE RP8400B2M1CENICWHTWHT | | | | |
| SCALE | DATE | DR | DWG | REV |
| 2:1 | 10/5/2016 | MW | ST084014 | A |

THE INFORMATION CONTAINED IN THIS DOCUMENT IS PROPRIETARY TO E-SWITCH AND IS NOT TO BE COPIED OR TRANSFERRED